



Installation Manual

EYEBEAM NVG

NVG (Night Vision Goggles)
LED Swivel Light With TOUCH Sensing Control

AVEO
ENGINEERING

© Aveo Engineering Group, s.r.o.
www.aveoengineering.com

Table of Contents

1. GENERAL INFORMATION.....3

2. WIRING DIAGRAM4

3. CONTROL & POWER INPUTs:.....4

4. WIRING CHART.....5

5. TECHNICAL SPECIFICATION5

6. TECHNICAL DRAWING7

7. INSTALLATION INSTRUCTION8

8. FACTORY SERVICE POLICIES.....8

1. GENERAL INFORMATION

The popular Aveo EyeBeam Touch™ capacitive sensing controlled cockpit and cabin lights are now available in NVG configuration, that is they include green LED lighting compatible with night vision equipment. Also included with the NVG model EyeBeam is the standard selection faceplate locations of white, red and blue LEDs too, so whatever your operational conditions there is a lighting option to match it available from this amazing product.

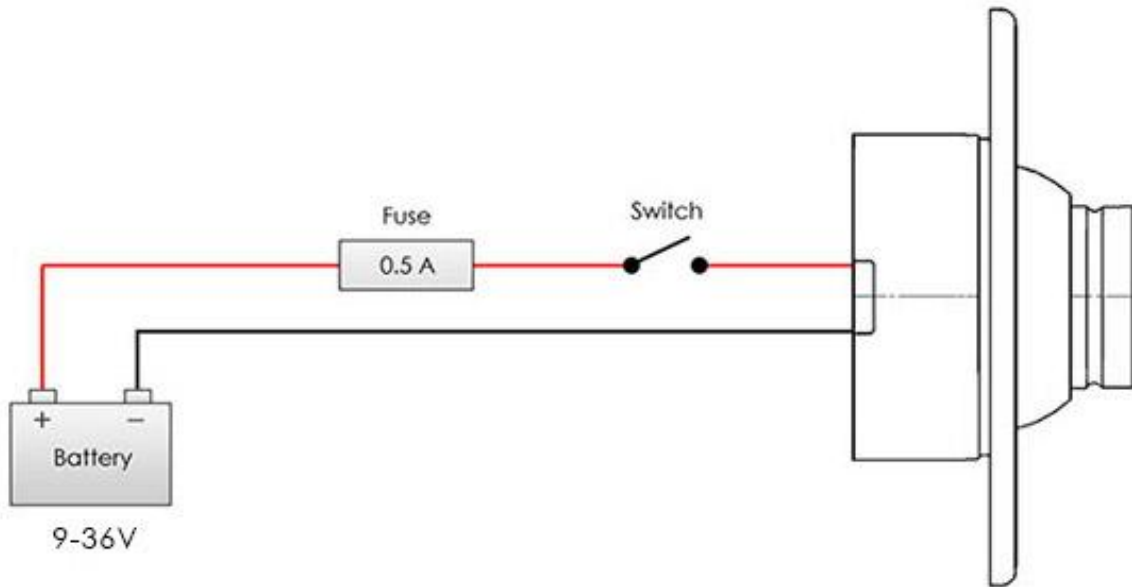
With one light finger touch you can control power, white LED, red LED, green LED, blue LED or the brightness slider scale easily with no mechanical switches to fail and no bulbs to burn out. The EyeBeam comes with a variety of easily-applied colored faceplates so you can get the look you want, standard colors are black, silver or white, but volume orders for custom colors are always welcome. Standard aluminum colors available are anodized black or anodized silver.

Cockpit and cabin lighting, especially on aircraft, helicopters, boats, recreational vehicles and trucks are plagued by problems from vibration.... the EyeBeam overcomes this with a vibration-proof product.

Key Features:

- 9-36 volt DC input range
- no external power supply
- swiveling light permits light beam control
- capacitive sensing touch controls
- no mechanical switches to fail
- unmatched circuit technology
- available in variety of LED and external aluminum finish colors

2. WIRING DIAGRAM



3. CONTROL & POWER INPUTS:

Red color wire - positive power supply lead

Black color wire - negative power supply lead

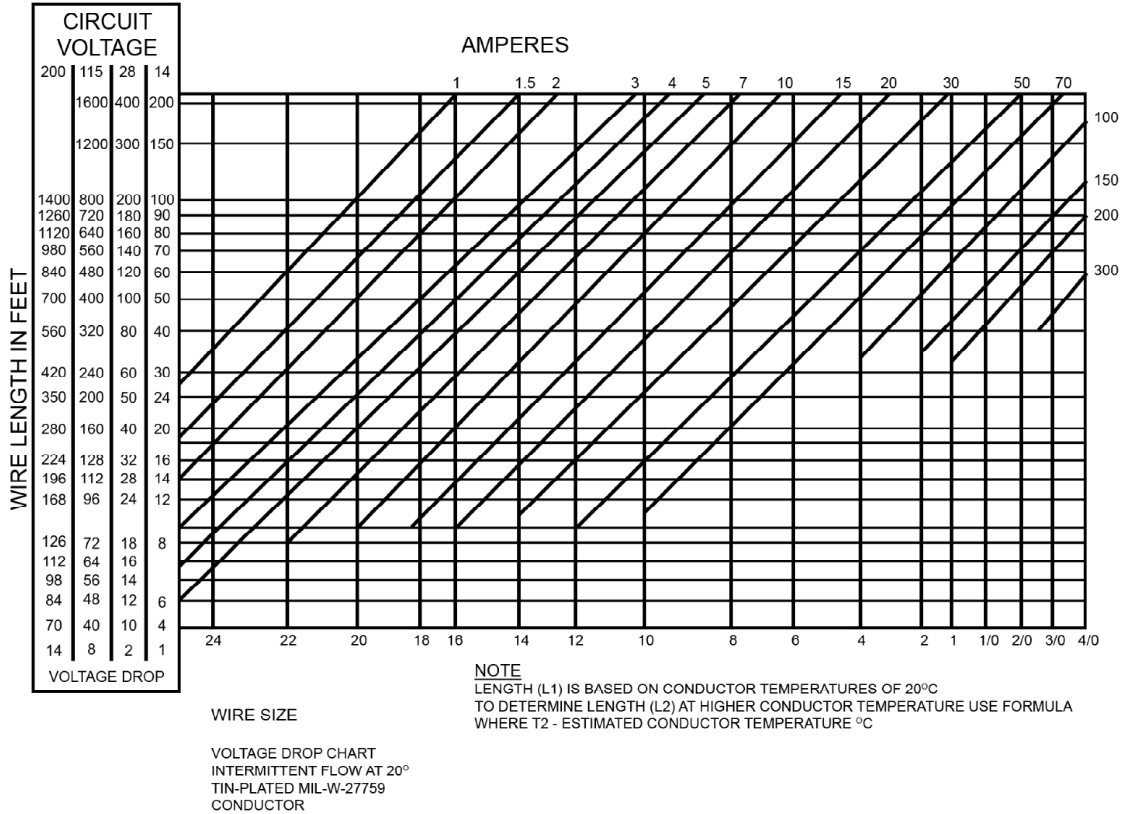
Pigtail length: 180 mm / 7.08"

End of the supplied pigtail is 5mm stripped wire, no coating

Wire size: 0.5 mm² / 20 AWG

Wire outside diameter: 1.5 mm / 0.06"

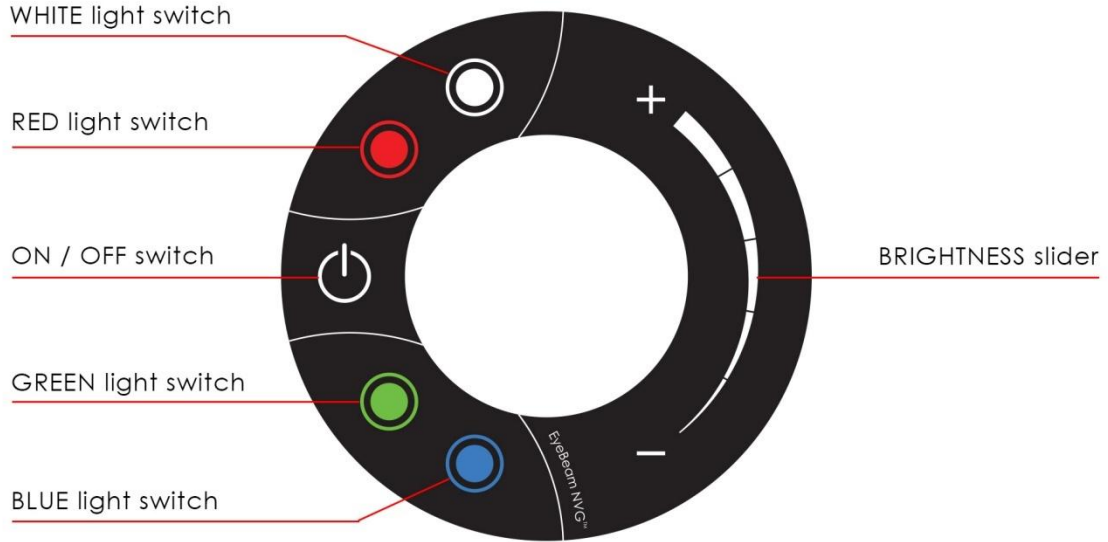
4. WIRING CHART



5. TECHNICAL SPECIFICATION

- Diameter: 80 mm / 3.15"
- Weight: 115 g / 4.05 oz
- Operating Voltage Range: 9 – 36 Vdc
- Nominal Voltage: 12V or 24V
- Current (@12V): 0.2A (full brightness)
- Color: Neutral White
Red
Green
Blue
- Dimming: Yes / 5 levels

Faceplate:



Eyebeam NVG colors available:

BLACK



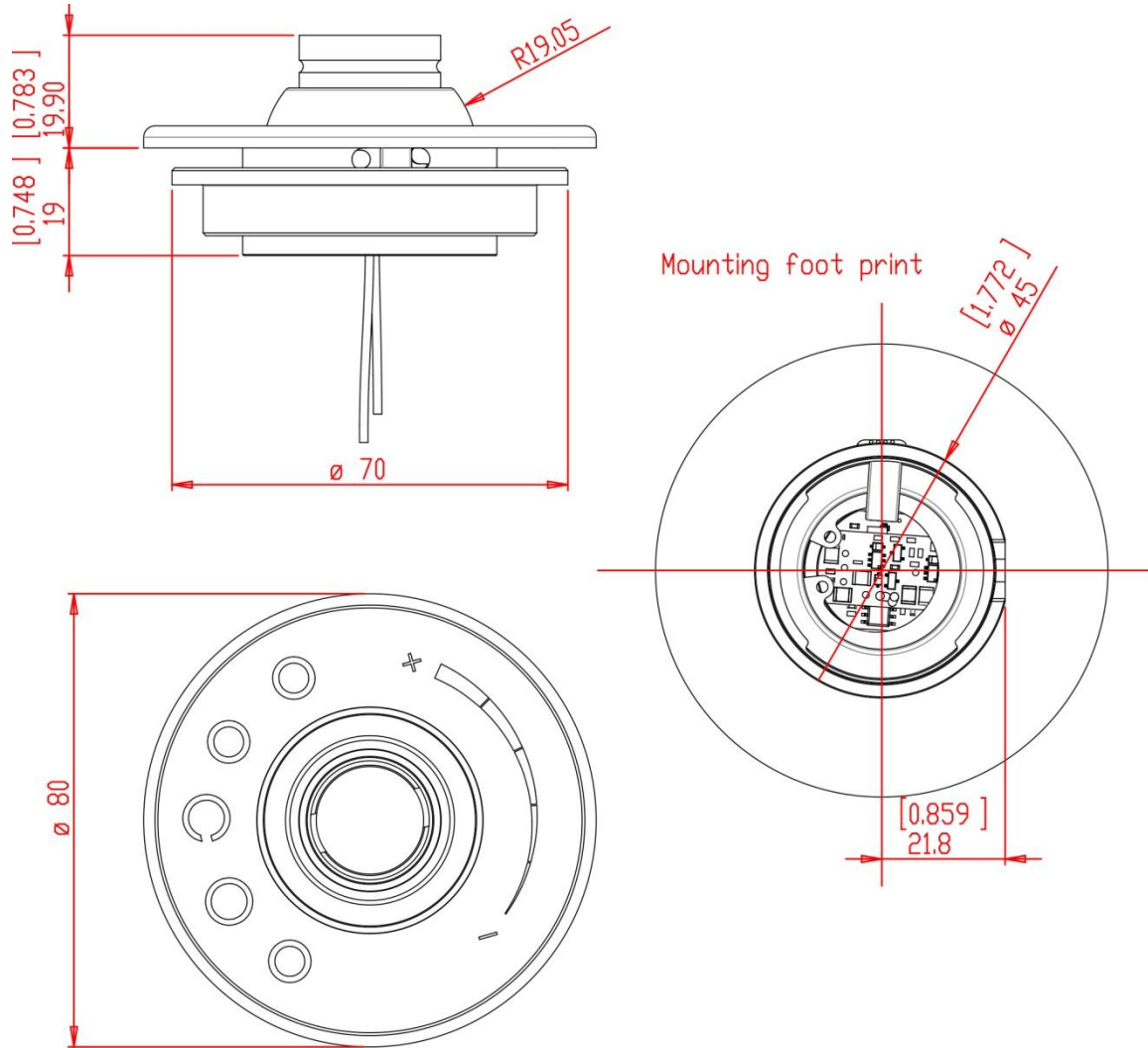
AVEO
ENGINEERING

SILVER



AVEO
ENGINEERING

6. TECHNICAL DRAWING



*dimensions in [inches] mm

7. INSTALLATION INSTRUCTION

a. Unpacking and Inspection

Verify all ordered parts listed were received and sustained no shipping damage. Where evidence of shipping damage exists, save the shipping carton and packing material to help substantiate your claim to the shipping company. Retain the original shipping carton and packing material in case you need to ship the unit for service.

b. Orientation

The components can be positioned in any orientation, however the EyeBeam's are to be positioned to project light as intended.

c. Cooling

The EyeBeam NVG components are not equipped with air vents or fans, which can be blocked and therefore this consideration is not required.

8. FACTORY SERVICE POLICIES

Service of an EyeBeam NVG component performed at the factory typically includes an overhaul consisting of a thorough inspection, repair as needed and functional tests. Prepare a packing slip that includes the part number(s) and serial number(s) of the items to be returned, along with a complete description of the problem, requested service and special instructions. The packing slip must also include a contact name, daytime telephone number and return shipping address.

To return an item, securely pack it in the original shipping container, if possible, and ship it to Aveo Engineering Group at following address:

Aveo Engineering Group, s.r.o.
Příbram Airport (LKPM)
Drásov 202
261 01 Drásov
Czech Republic
Tel.: +420 731 116 567
Fax: +420 326 531 098
e-mail: michal@aveogroup.com